

Vizzybell

Innovation In Safety



Specification Guide for the Vizzybell NEXIT

Maintained Interactive EXIT/NO EXIT signage

www.Vizzybell.com

NEXIT by:



Maintained Interactive EXIT/NO EXIT signage

Product Overview:

The Vizybell NEXIT is a new innovative interactive emergency EXIT sign, that will automatically change from Green EXIT, indicating a safe path of egress, to a flashing Red NO EXIT state, indicating that the escape route is no longer available due to a possible fire situation.

The Vizybell NEXIT has been designed to comply with the building code whereby conventional methods are installed as 'alternative solutions' utilising two separate units fail to do so.

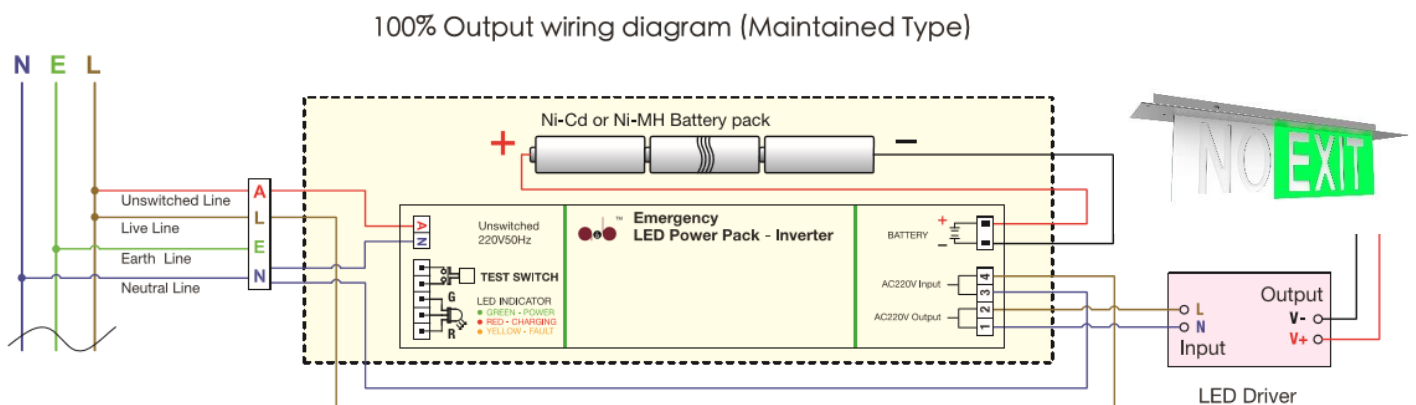
The NEXIT has a sleek contemporary design to suit the most modern fitouts and is simply and easy to install in both a ceiling or wall mount application

Product Specifications:

Operating Mode	Maintained
Power Supply	230 – 240V AC 50Hz
Max Power Consumption	4W maximum
Battery specification	12V – 1.34 ah Ni-cad/Ni-MH
Lens Material	Acrylic
Sign Housing Material	Extruded Aluminium
Control Box Construction	Injection Moulded Polycarbonate
Product Weight	4.15 KG total (Sign 2.48kg)
Complies with	AS2293.1:2005 Emergency Lighting AS/NZS 60598.2.22 Luminaries For Emergency Lighting

Maintained Interactive EXIT/NO EXIT signage

- Ceiling or wall mounted options
- Replaces 2 conventional unit with 1 to reduce installation and ongoing compliance costs
- Suitable for retrofitting as well as new build applications
- 3-hour battery life
- Simple connection from the fire alarm panel to change from EXIT to NO EXIT operations during a fire situation
- Manufactured in New Zealand
- Environmentally friendly
- Easy installation
- Battery test switch
- LED indicator to indicated mains power is on
RED indicates Battery is charging
GREEN Indicated Mains power is present, and battery is fully charged
Amber indicates a fault



NEXIT by:



Maintained Interactive EXIT/NO EXIT signage

Applications:

Any building utilising stage evacuation practices *including but not limited to:*

- Hospitals
- Aged care facilities
- Prisons

Included:

- EXIT/NO EXIT acrylic sign
- Ceiling face plate
- Control box including
 - Test switch
 - Fire alarm relay connection
 - 3 pin plug for ease of installation

Optional extras:

- Wall mounting bracket
 - New Battery
-

NEXIT by:

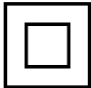


Maintained Interactive EXIT/NO EXIT signage

Product Dimensions:



Notes:

This is a class 2 unit  and must be installed by a suitable qualified person in accordance with the installation instruction which are obtainable at www.Vizybell.com

Please note the installer of this product is responsible for ensuring that it is fit for purpose and meets the requirements of all applicable codes and standards.

For all other information including an installation guide please visit the website as sated below

www.Vizybell.com